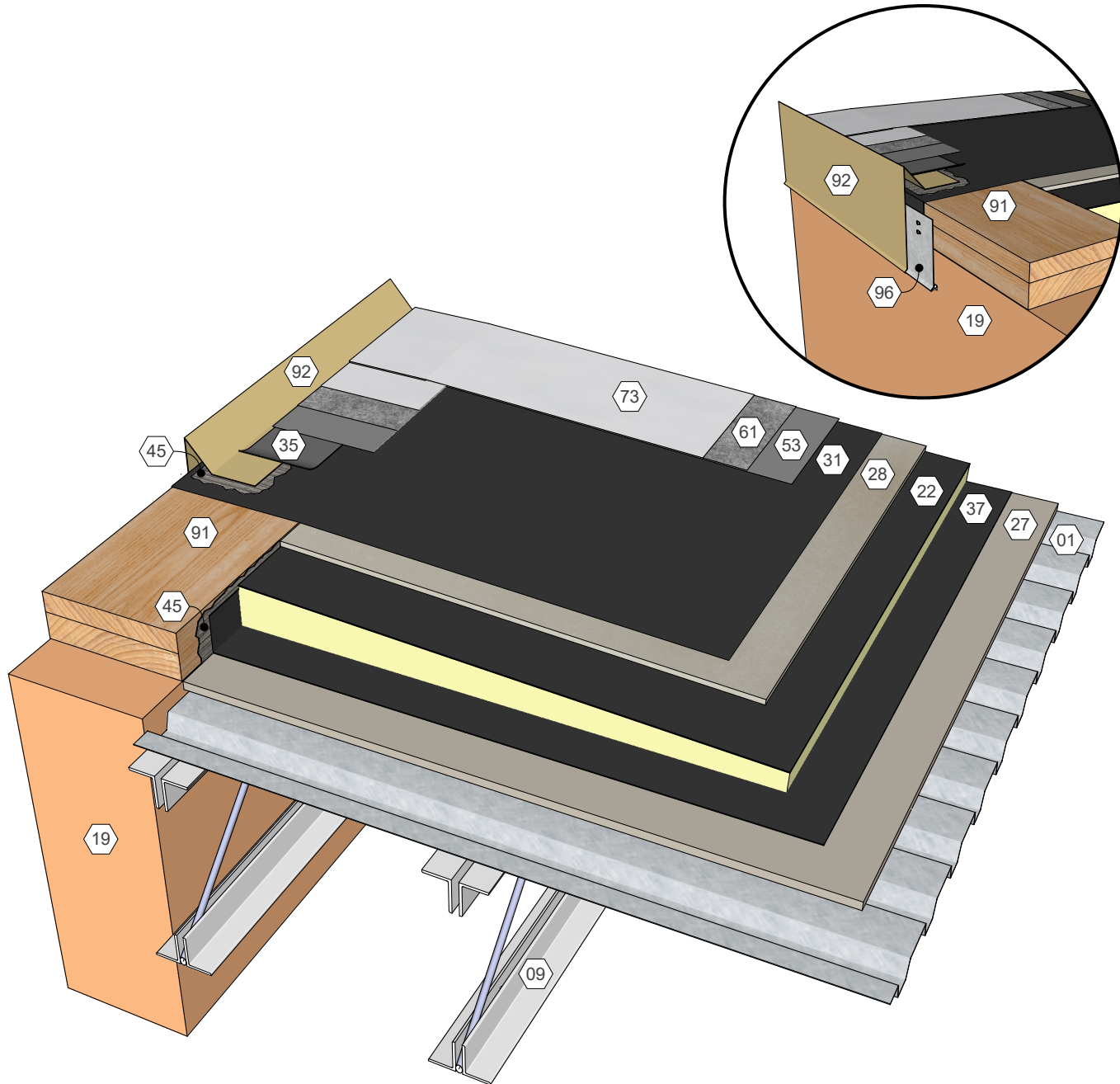


KEY NOTES

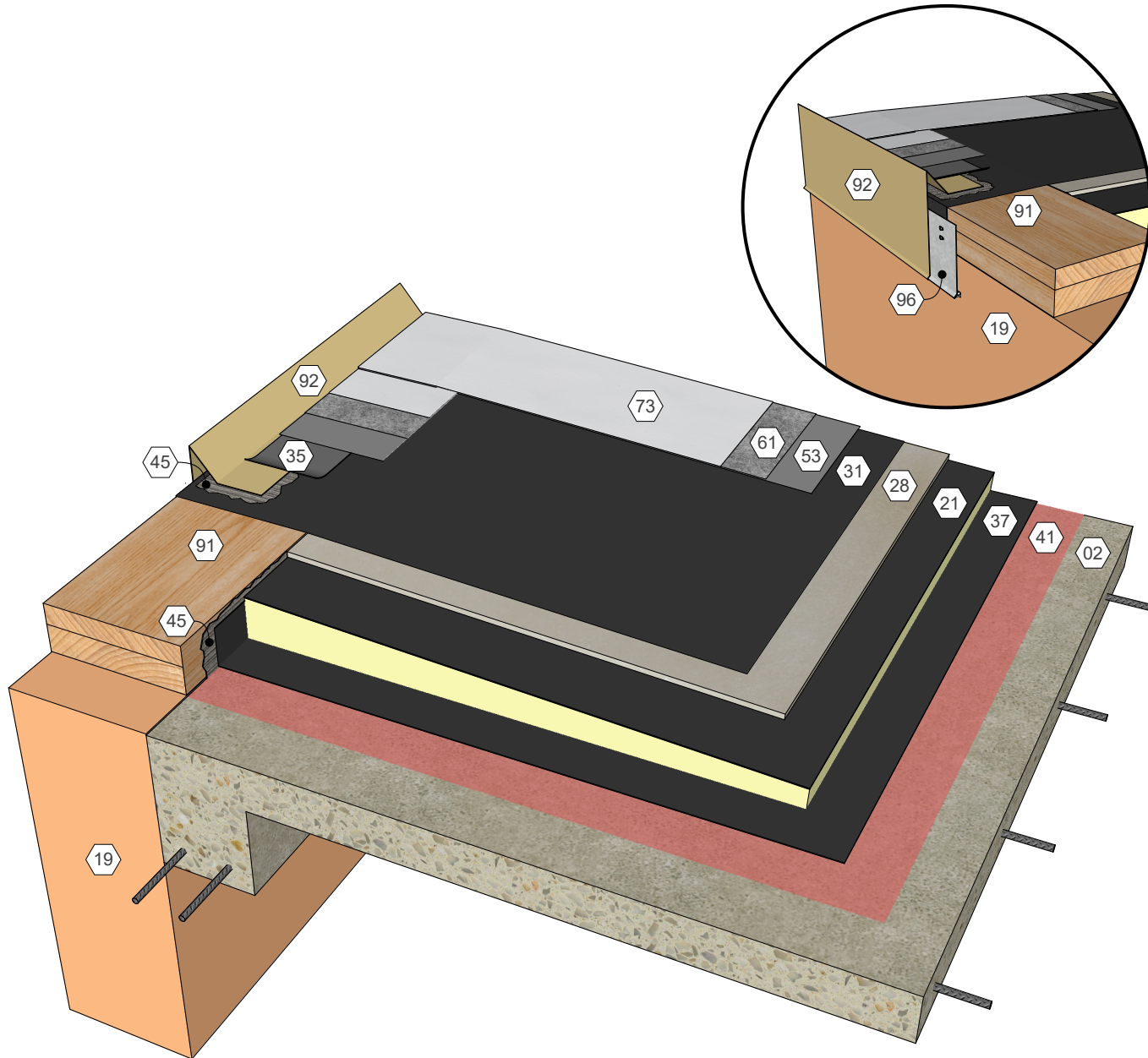
- 01 Metal Deck
- 09 Roof Structure
- 19 Wall Assembly
- 22 Polyisocyanurate Insulation (Fastened or Adhered)
- 27 Substrate Board (Fastened)
- 28 Cover Board (Adhered)
- 31 Approved Base Ply Sheet
- 35 Stripping Ply
- 37 Approved Base Sheet (Adhered)
- 45 Roofing Mastic
- 53 AlphaGuard PUMA Base Coat
- 61 AlphaGuard Glass Mat or Permafab
- 73 AlphaGuard PUMA Top Coat
- 91 Wood Blocking
- 92 Gravel Stop Edge
- 96 Cont. Cleat



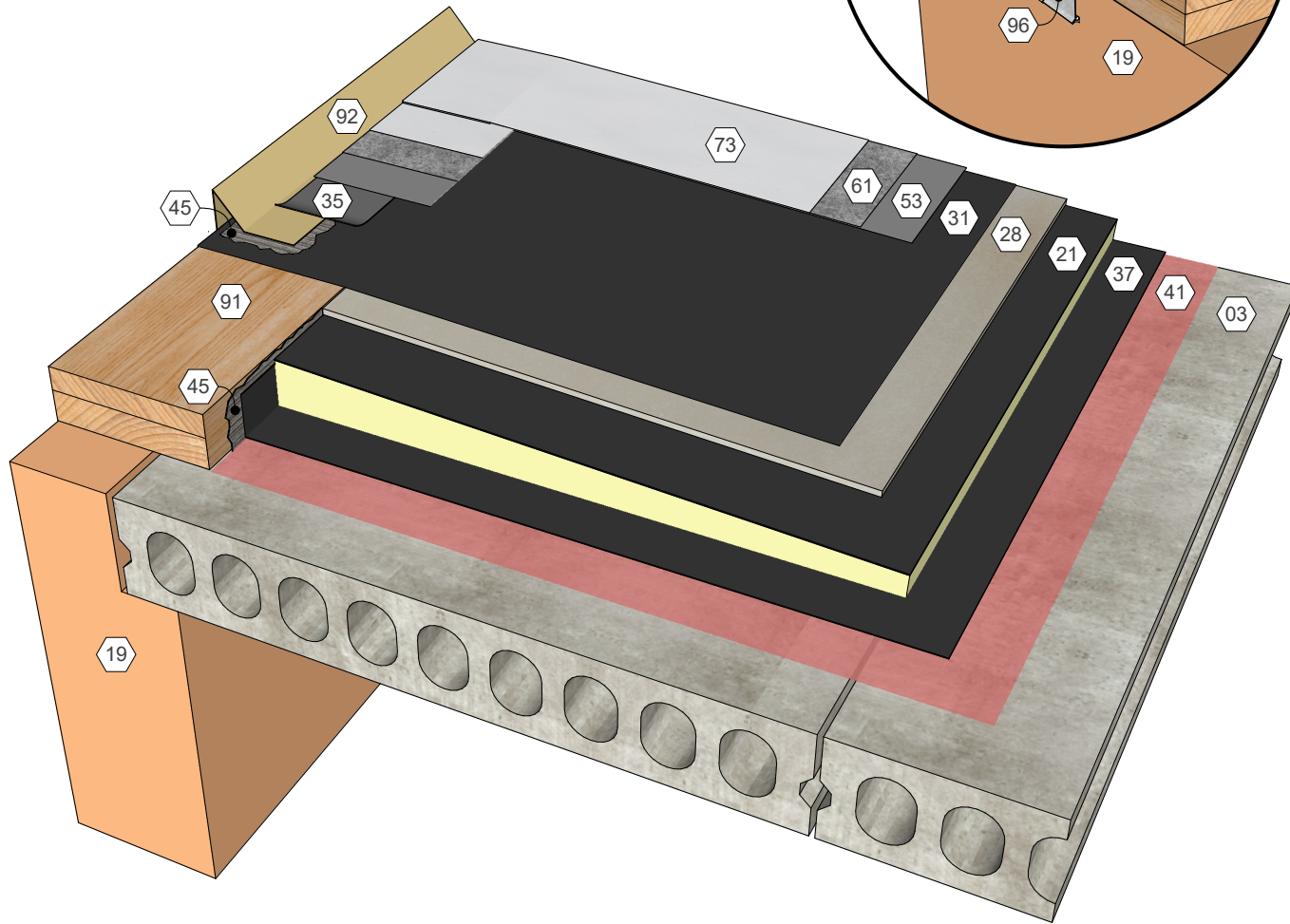
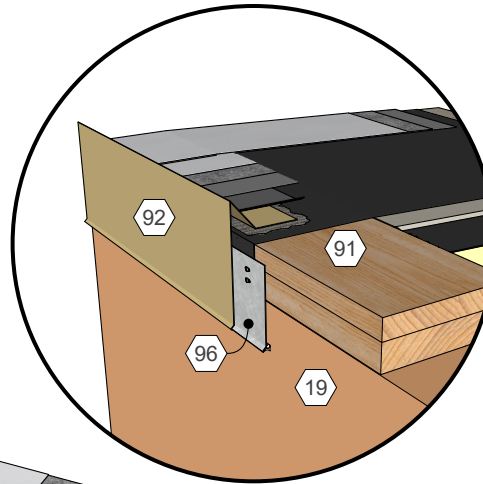
AlphaGuard® PUMA Plus Gravel Stop Edge, Temp. Roof, Metal Deck
Detail 34031

KEY NOTES

- ① Structural Concrete Deck
- ② Roof Structure
- ③ Wall Assembly
- ④ Polyisocyanurate Insulation (Adhered)
- ⑤ Cover Board (Adhered)
- ⑥ Approved Base Ply Sheet
- ⑦ Stripping Ply
- ⑧ Approved Base Sheet (Adhered)
- ⑨ Approved Primer
- ⑩ Roofing Mastic
- ⑪ AlphaGuard PUMA Base Coat
- ⑫ AlphaGuard Glass Mat or Permafab
- ⑬ AlphaGuard PUMA Top Coat
- ⑭ Wood Blocking
- ⑮ Gravel Stop Edge



AlphaGuard® PUMA Plus Gravel Stop Edge, Temp. Roof, Structural Concrete Deck
Detail 34032



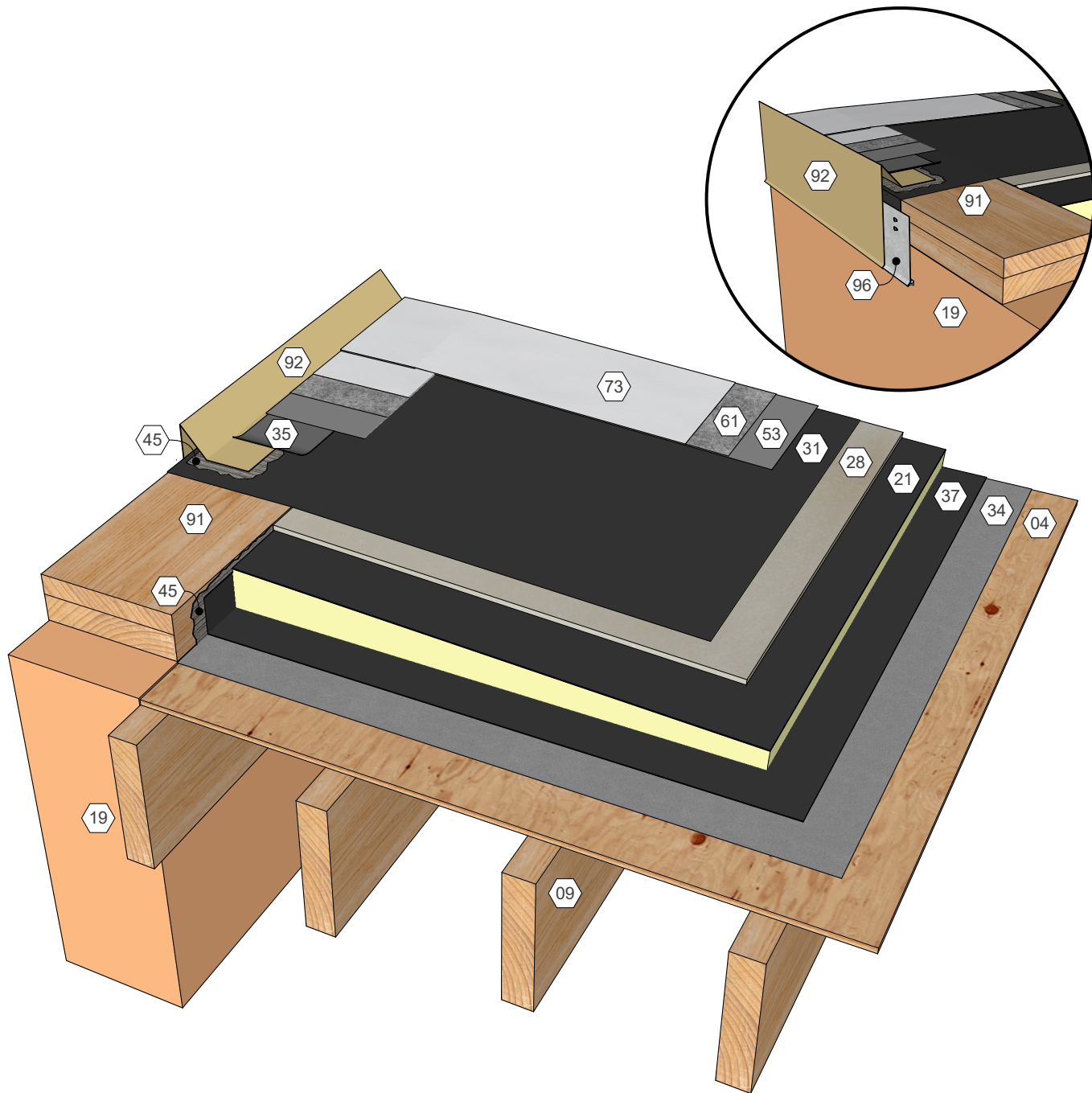
KEY NOTES

- 03 Precast Concrete Deck
- 19 Wall Assembly
- 21 Polyisocyanurate Insulation (Adhered)
- 28 Cover Board (Adhered)
- 31 Approved Base Ply Sheet
- 35 Stripping Ply
- 37 Approved Base Sheet (Adhered)
- 41 Approved Primer
- 45 Roofing Mastic
- 53 AlphaGuard PUMA Base Coat
- 61 AlphaGuard Glass Mat or Permafab
- 73 AlphaGuard PUMA Top Coat
- 91 Wood Blocking
- 92 Gravel Stop Edge

AlphaGuard® PUMA Plus Gravel Stop Edge, Temp. Roof, Precast Concrete Deck
 Detail 34033

KEY NOTES

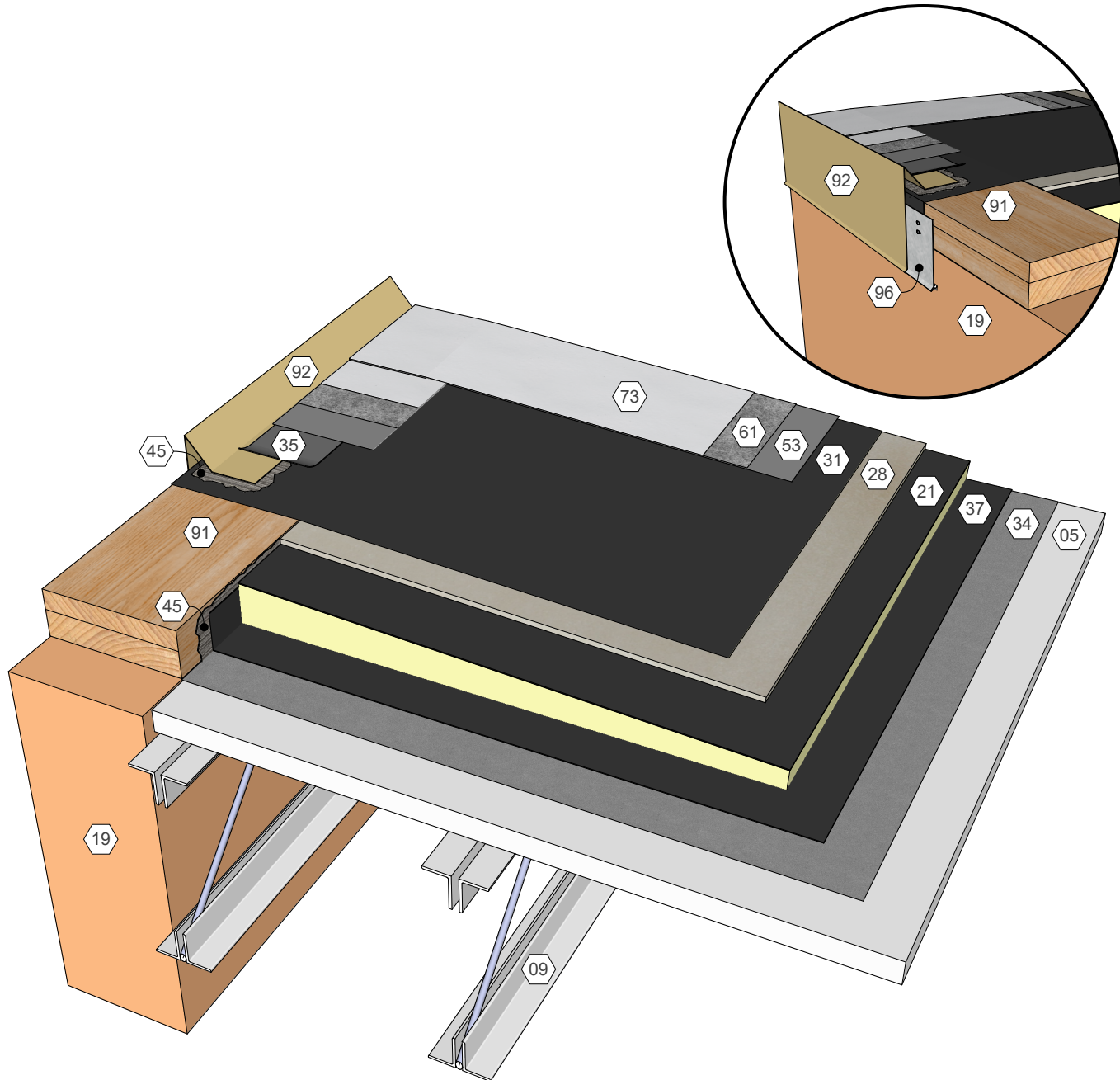
- 04 Wood Deck
- 09 Roof Structure
- 19 Wall Assembly
- 21 Polyisocyanurate Insulation (Adhered)
- 28 Cover Board (Adhered)
- 31 Approved Base Ply Sheet
- 34 Base Sheet (Fastened)
- 35 Stripping Ply
- 37 Approved Base Sheet (Adhered)
- 45 Roofing Mastic
- 53 AlphaGuard PUMA Base Coat
- 61 AlphaGuard Glass Mat or Permafab
- 73 AlphaGuard PUMA Top Coat
- 91 Wood Blocking
- 92 Gravel Stop Edge



AlphaGuard® PUMA Plus Gravel Stop Edge, Temp. Roof, Wood Deck
Detail 34034

KEY NOTES

- 05 Gypsum Deck
- 09 Roof Structure
- 19 Wall Assembly
- 21 Polyisocyanurate Insulation (Adhered)
- 28 Cover Board (Adhered)
- 31 Approved Base Ply Sheet
- 34 Base Sheet (Fastened)
- 35 Stripping Ply
- 37 Approved Base Sheet (Adhered)
- 45 Roofing Mastic
- 53 AlphaGuard PUMA Base Coat
- 61 AlphaGuard Glass Mat or Permafab
- 73 AlphaGuard PUMA Top Coat
- 91 Wood Blocking
- 92 Gravel Stop Edge



AlphaGuard® PUMA Plus Gravel Stop Edge, Temp. Roof, Gypsum Deck
Detail 34035